

SONY

Hi-Fi Products
Service Bulletin

Sony Service Company - Technical Services
A Division of Sony Corporation of America
Sony Drive, Park Ridge, New Jersey 07656

Model: HST-201

No. 161

Subject: Duplicate Reference Numbers and
Incorrect Part Number

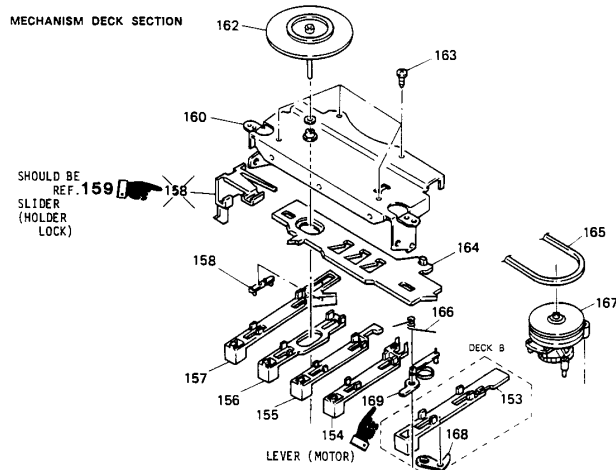
Date: January 24, 1991

Symptom:
(**)

1. There are two different parts listed with the same reference number.
2. The parts list does not indicate a part number for Reference Number 169.

- Solution:**
1. Refer to drawing for proper location of Reference Number 159.
 2. The correct part number for Reference Number 169 is shown below:

Ref. No.	Description	Part Number
169	Lever (Motor)	3-358-286-01



Reference: A901295

PRINTED IN U.S.A.
CSA-13191-1

CSA-13 Portable Stereo